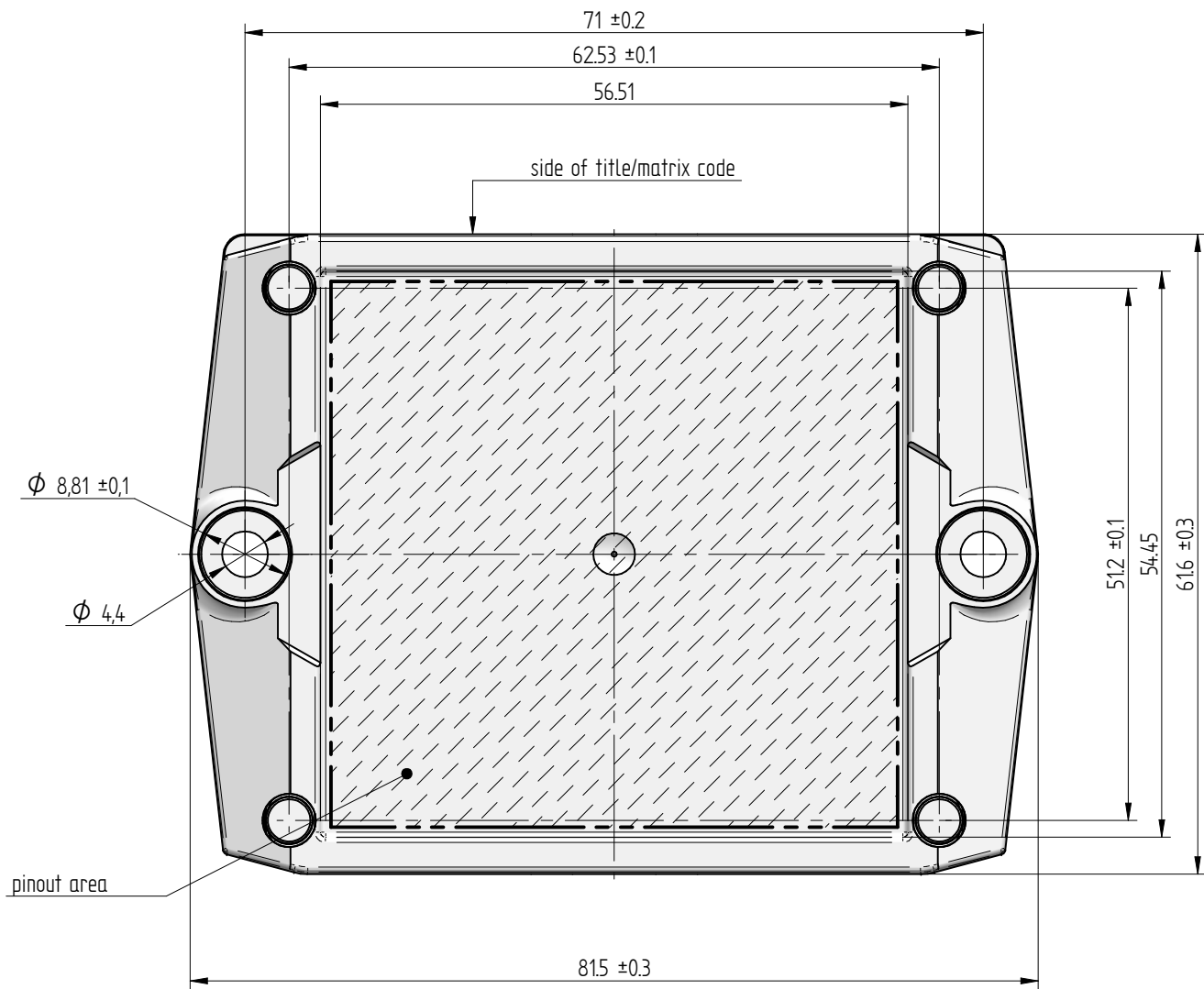
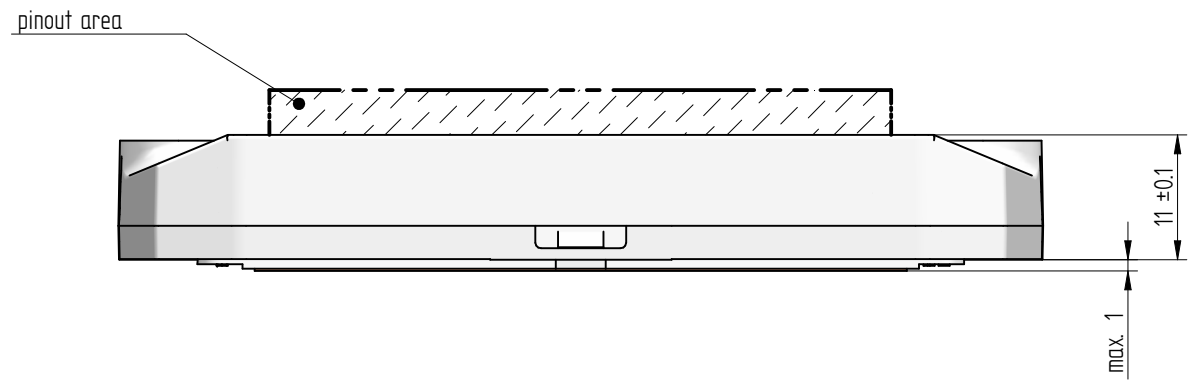
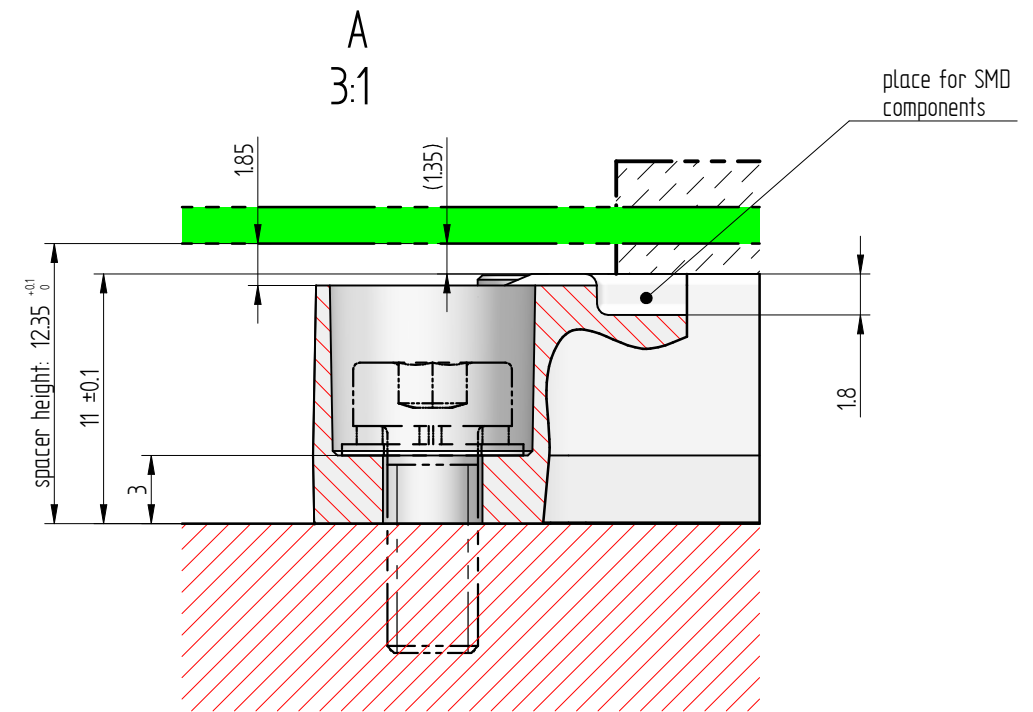
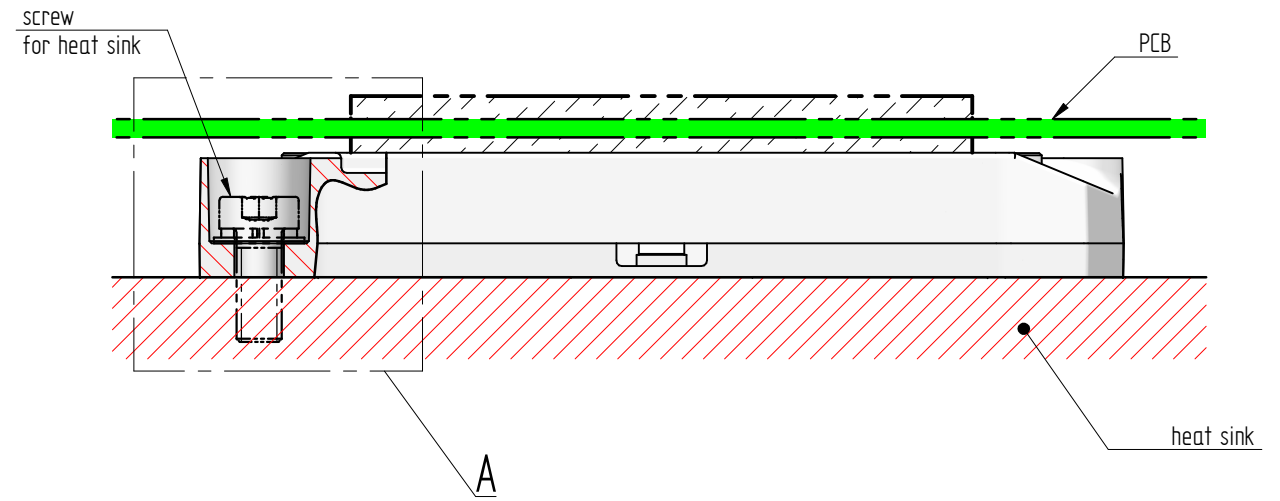


Before mounting



After mounting



| | | | | | | | |
|--|------------|---------------------|---------------------------|-------------------|--------------------|----------------------|------------------------------------|
| 01 | 06.12.2023 | initial release | Gyimóthy Zs. | Géczy M. | Package Drawing | View scale 1.5:1 | |
| Rev. | Date | Alteration | Designed | Approved | | Page 1/1 | |
| General tolerances ISO 2768 - m , K | | | | Ps A3 | | FlowS3-0T120*-PD | |
| Linear dimensions | | x < 0.5 ± 0.05 | 0.5 ≤ x < 6 ± 0.1 | 6 ≤ x < 30 ± 0.2 | 30 ≤ x < 120 ± 0.3 | | 120 < x ± 0.5 |
| Chamfers, radii | | x < 0.3 ± 0.05 | 0.3 ≤ x < 0.5 ± 0.1 | 0.5 ≤ x < 3 ± 0.2 | 3 ≤ x < 6 ± 0.5 | | 6 < x ± 1 |
| References | | Inspectional dim: □ | Revision number (Rev.): * | | IP Development | | Drawing alteration in revision: {} |

PCB specification according to the actual handling instruction document
Refer to the module datasheet for actual pinout and 3D-CAD model