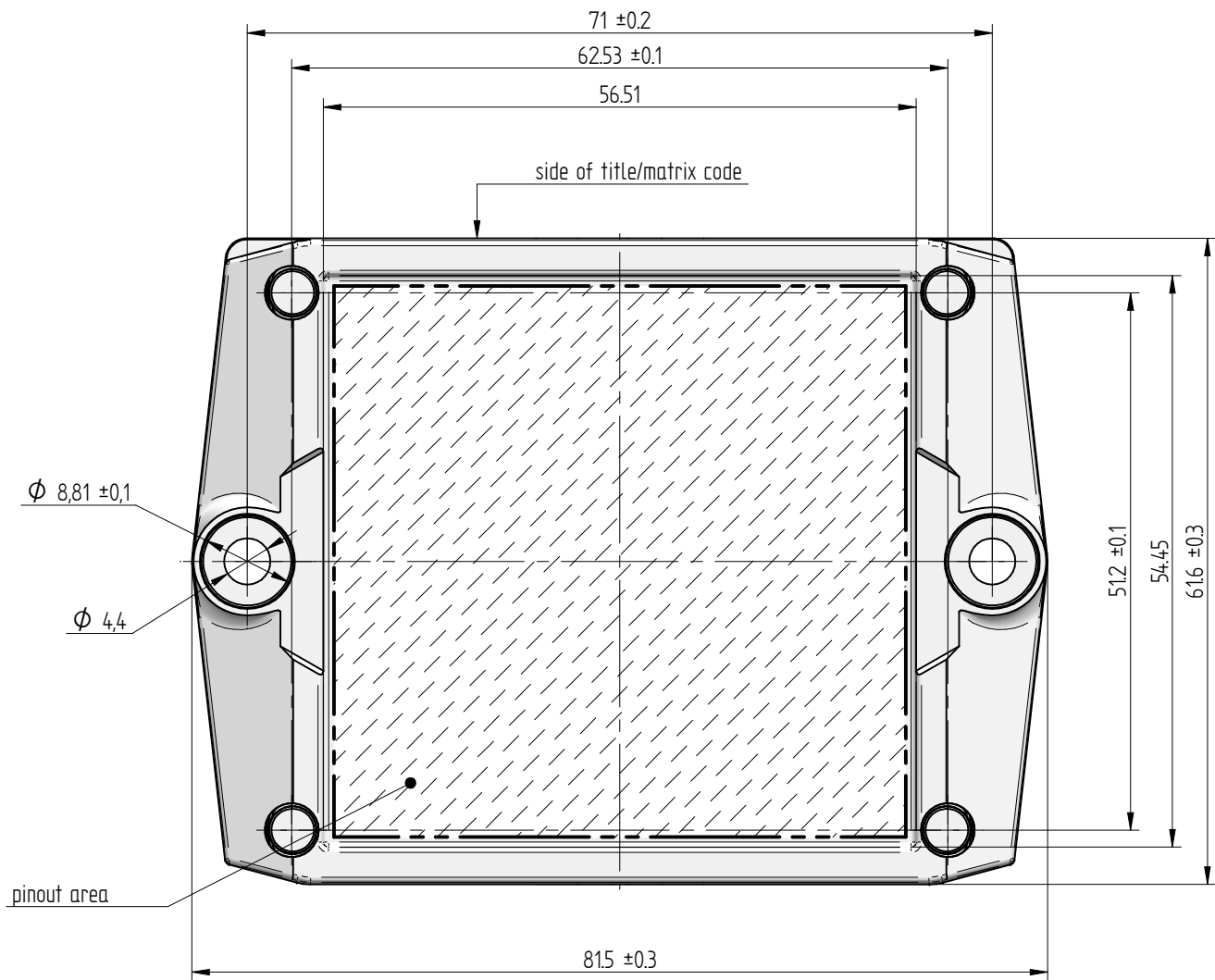
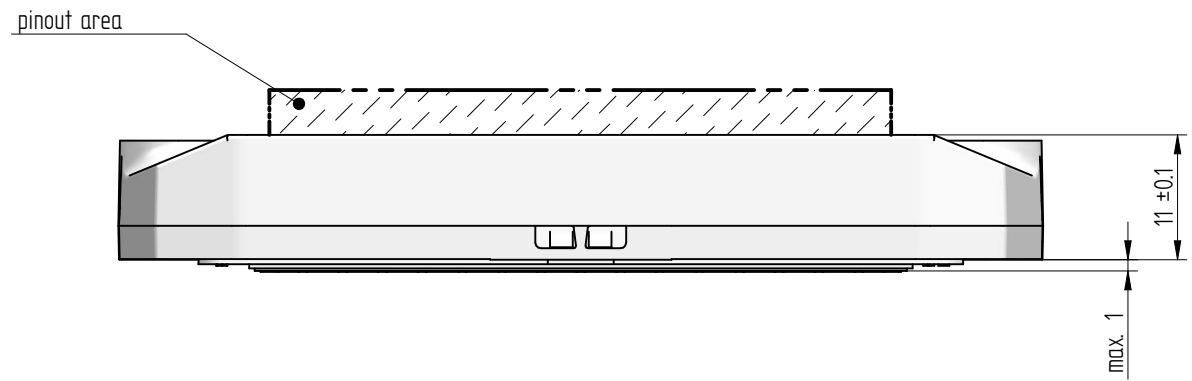
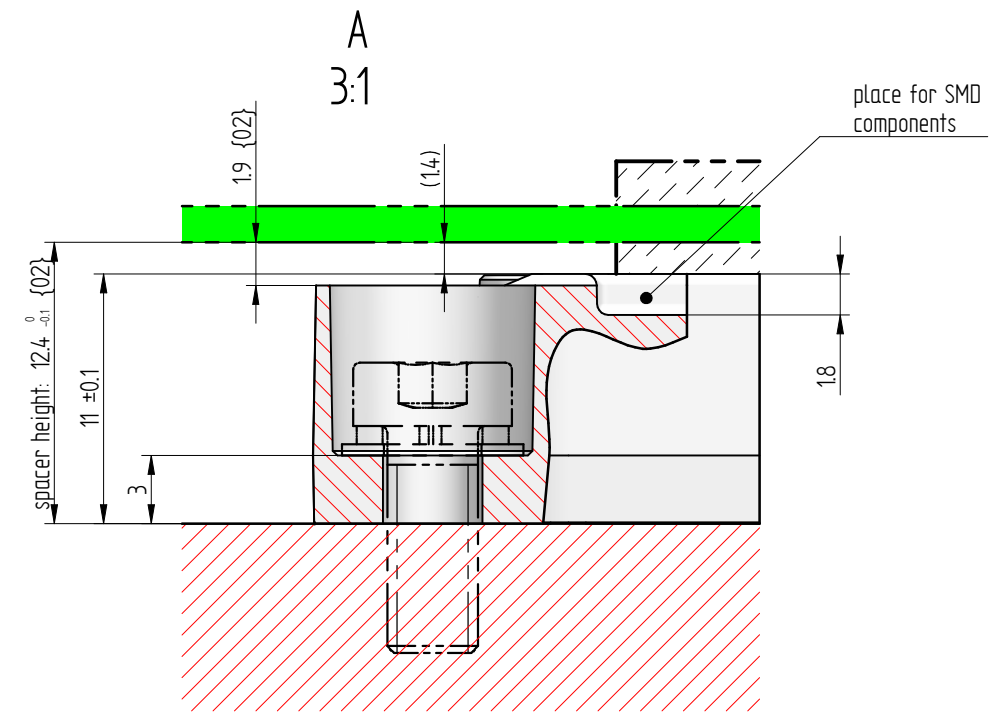
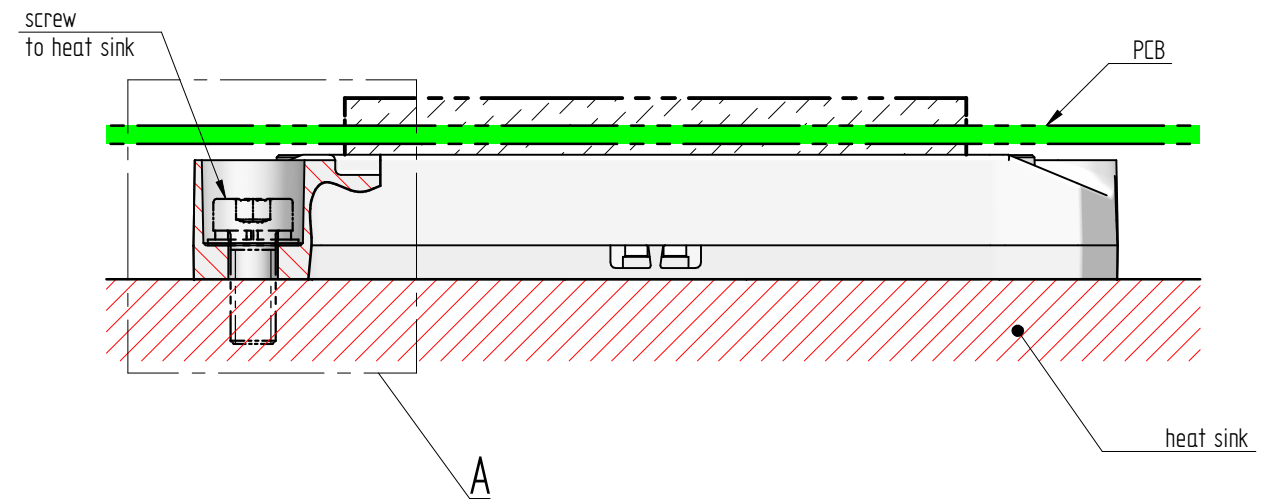


### Before mounting



### After mounting



02	10.09.2024	minor package design changes	Gyimóthy Zs.	Géczy M.	Package Drawing	View scale 1,5:1
01	06.12.2023	initial release	Gyimóthy Zs.	Géczy M.		
Rev.	Date	Alteration	Designed	Approved		
<b>General tolerances ISO 2768 - m , K</b>				<b>Ps A3</b>		
<b>Linear dimensions</b>		x < 0,5 ± 0,05	0,5 ≤ x < 6 ± 0,1	6 ≤ x < 30 ± 0,2	30 ≤ x < 120 ± 0,3	120 < x ± 0,5
<b>Chamfers, radii</b>		x < 0,3 ± 0,05	0,3 ≤ x < 0,5 ± 0,1	0,5 ≤ x < 3 ± 0,2	3 ≤ x < 6 ± 0,5	6 < x ± 1
<b>References</b>		Inspectional dim:	Revision number (Rev.): *		IP Development	
					FlowS3-0T120*-PD	Page 1/1
					Drawing alteration in revision: {}	

PCB specification according to the actual handling instruction document  
Refer to the module datasheet for actual pinout and 3D-CAD model