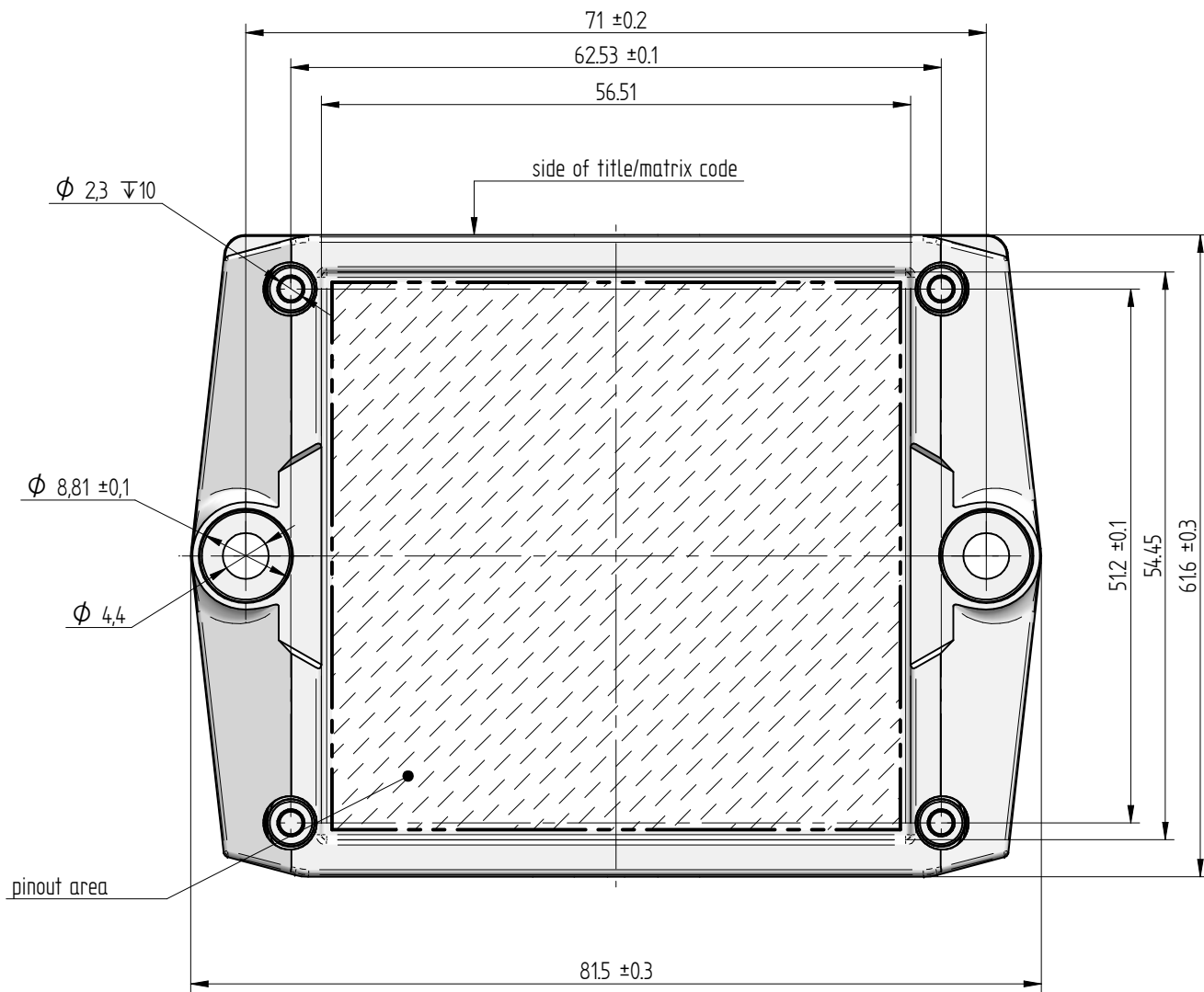
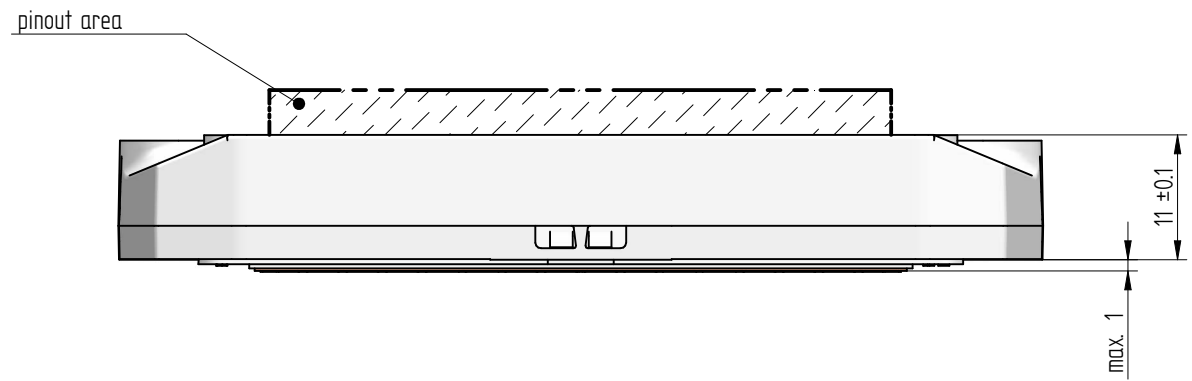
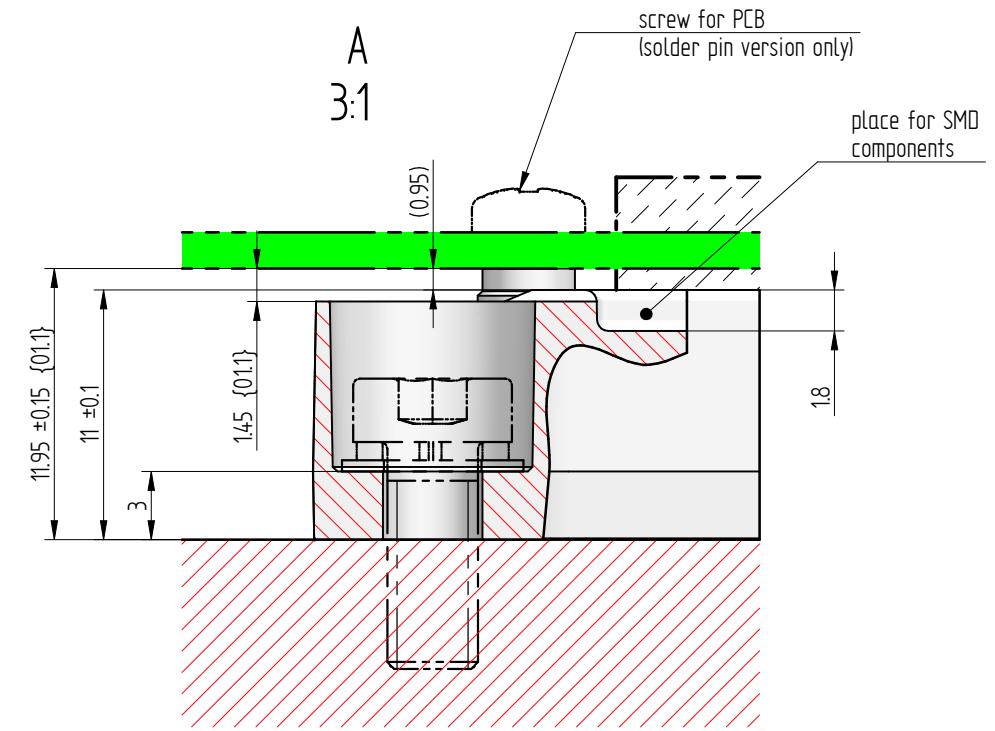
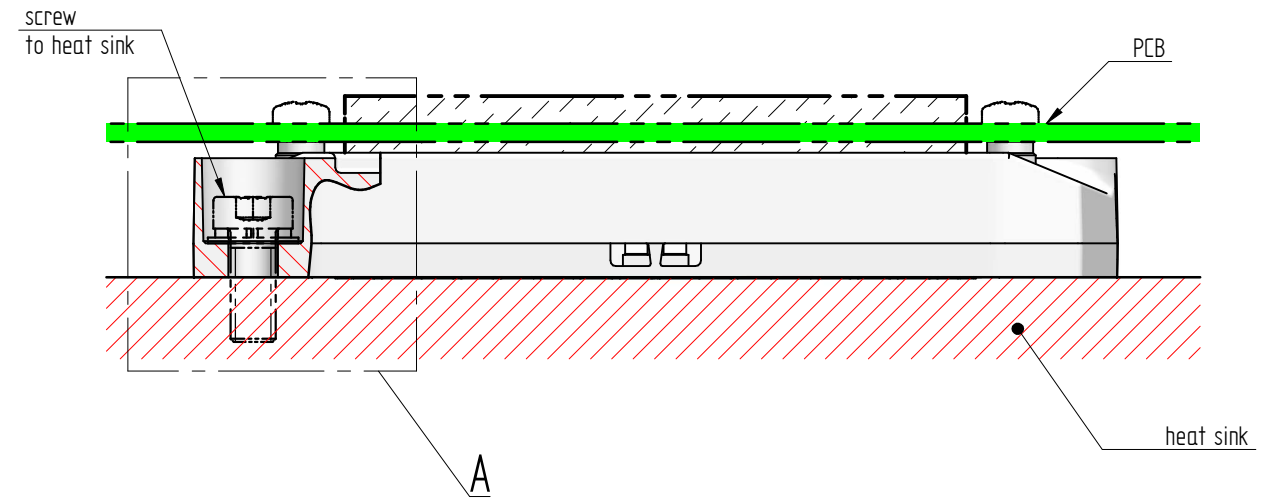


Before mounting



After mounting



PCB specification according to the actual handling instruction document
Refer to the module datasheet for actual pinout and 3D-CAD model

02	10.09.2024	minor package design changes	Gyimóthy Zs.	Géczy M.	Package Drawing	View scale 1,5:1
01.2	17.06.2020	remove detail view of Press-fit pin variant	Gyimóthy Zs.	Géczy M.		
01.1	10.06.2020	correction of mounting height at both pin variants	Gyimóthy Zs.	Géczy M.		
Rev.	Date	Alteration	Designed	Approved		
General tolerances ISO 2768 - m , K			Ps A3			
Linear dimensions	x < 0.5 ± 0.05	0.5 ≤ x < 6 ± 0.1	6 ≤ x < 30 ± 0.2	30 ≤ x < 120 ± 0.3	120 < x ± 0.5	
Chamfers, radii	x < 0.3 ± 0.05	0.3 ≤ x < 0.5 ± 0.1	0.5 ≤ x < 3 ± 0.2	3 ≤ x < 6 ± 0.5	6 < x ± 1	
References	Inspectional dim:	Revision number (Rev.): *	IP Development		Drawing alteration in revision: {}	



FlowS3-4T120*-PD

Page
1/1

